

HUBER+SUHNER® DATA SHEET

SENCITY® ACCESSORY

FOR SENCITY® ART ANTENNA

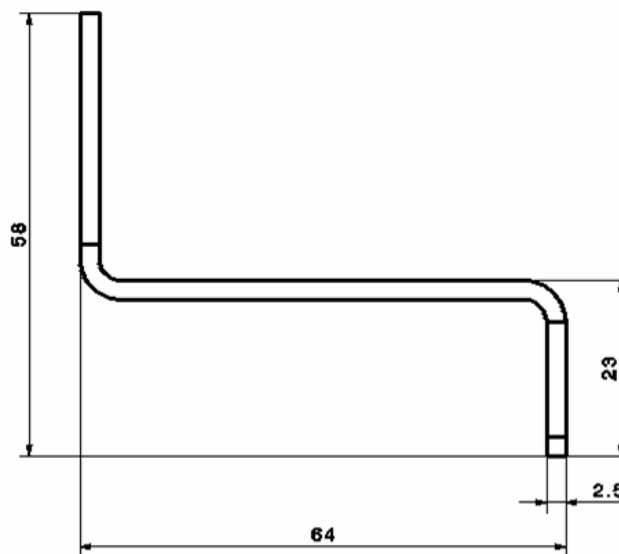
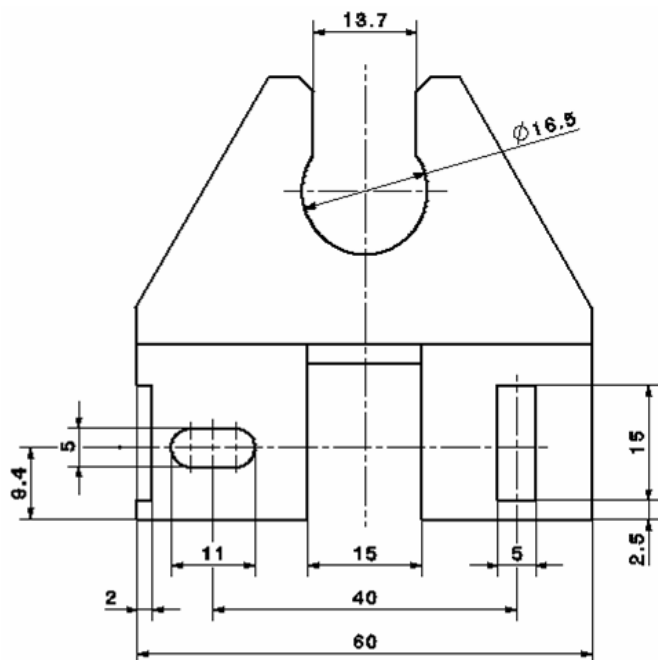
Rev: B



Ceiling Bracket 9091.99.0095

| | |
|--------------|-------------|
| Type no. | Article no. |
| 9091.99.0095 | 84001045 |

| | |
|------------|----------------------|
| Documents | |
| 01.02.0777 | security instruction |
| 01.02.0969 | mounting instruction |



HUBER+SUHNER is certified according to ISO 9001 and ISO 14001

WAIVER!
It is exclusively in written agreements that we provide our customers with warrants and representations as to the technical specifications and/or the fitness for any particular purpose. The facts and figures contained herein are carefully compiled to the best of our knowledge, but they are intended for general informational purposes only.



HUBER+SUHNER AG
RF Industrial
9100 Herisau, Switzerland
Phone +41 (0)71 353 41 11
Fax +41 (0)71 353 45 90
www.hubersuhner.com

HUBER+SUHNER – Excellence in Connectivity Solutions