

HUBER+SUHNER® DATA SHEET

SENCITY® ACCESSORY

FOR GPS / LMU OMNI ANTENNA

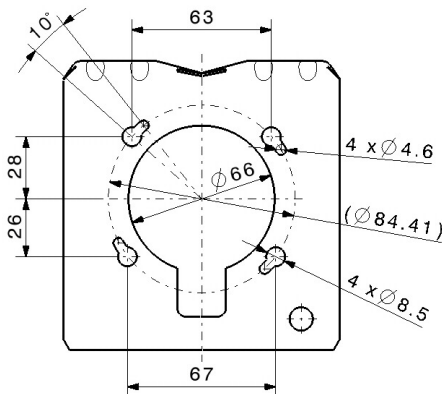
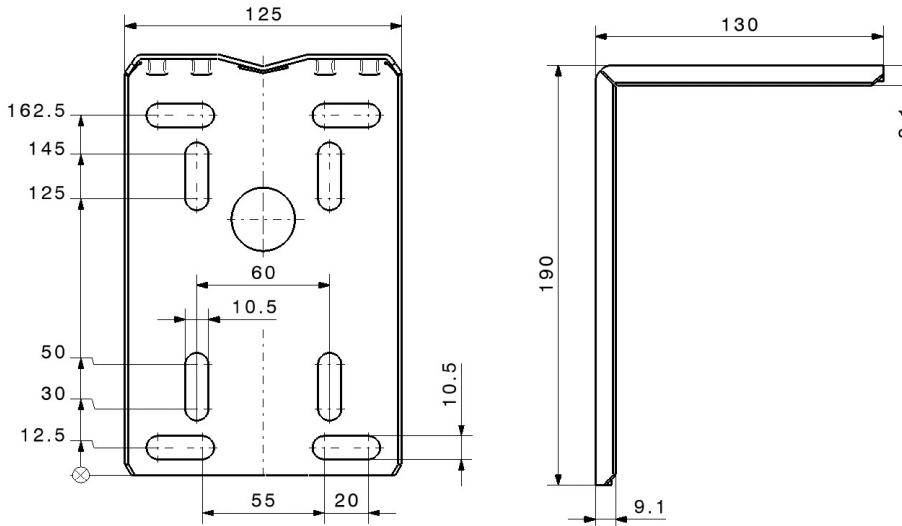
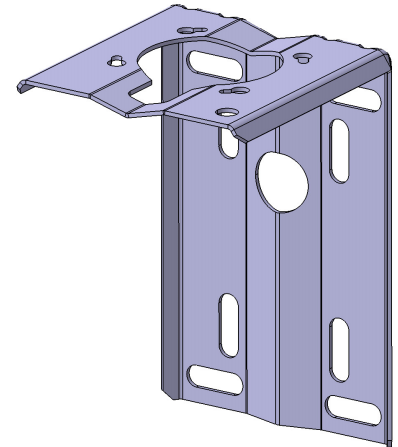
Rev: I



L-Bracket 9091.99.0170

Type no.	Article no.
9091.99.0170	23035941

Documents	
01.02.0777	security instruction



HUBER+SUHNER is certified according to ISO 9001 and ISO 14001

WAIVER!

It is exclusively in written agreements that we provide our customers with warrants and representations as to the technical specifications and/or the fitness for any particular purpose. The facts and figures contained herein are carefully compiled to the best of our knowledge, but they are intended for general informational purposes only.



HUBER+SUHNER AG
RF Industrial
9100 Herisau, Switzerland
 Phone +41 (0)71 353 41 11
 Fax +41 (0)71 353 45 90
www.hubersuhner.com

HUBER+SUHNER – Excellence in Connectivity Solutions